



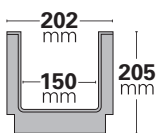
# RELN Storm Drain™ Pro

RELN Storm Drain™ Pro is our premium addition to our surface drainage range, perfect for large domestic and light commercial applications. With its large 150mm profile, Storm Drain Pro effectively collects and distributes substantial volumes of surface water throughout its system. The channels innovative design features an integral side flange to create corners and intersections, removing the need to source additional fittings.

- **Durability** – Made in Australia from tough, durable, and lightweight UV stabilised recycled plastic
- **Easy to install** – Storm Drain Pro is a breeze to install with its easy connecting channels, interchangeable clip-in grates and hold down feet to stop floatation during the pouring of concrete.
- **No corners or tee pieces required for change of direction** – Storm Drain Pro features an integral side flange to create corners and intersections, removing the need to source additional fittings.
- **Galvanised steel edges** – Rated to light commercial traffic
- **Large 150mm profile** – A large profile for capturing large volumes of water flow
- **Plumber-friendly** – Bottom outlet can be cut or drilled to fit 90mm PVC stormwater pipe
- **Environmentally friendly** – Made from 100% UV stabilised recycled plastic
- **Class B Load Rating** – Ideal for trafficable areas in domestic and light commercial applications.



## SPECIFICATIONS



## CAPACITY



## COMPONENTS



End Cap



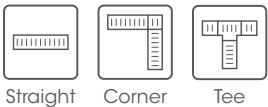
Leaf Guard



## Storm Drain™ Pro

### PRODUCT OVERVIEW

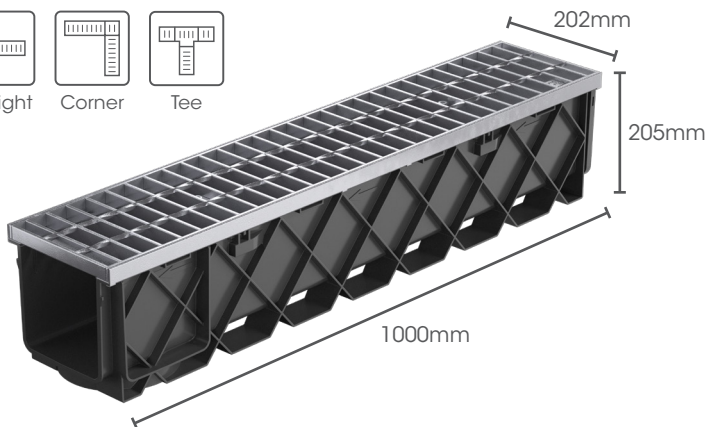
#### CONFIGURATIONS



Straight

Corner

Tee



### RELN Storm Drain™ Pro

#### SIZE (L x W x D)

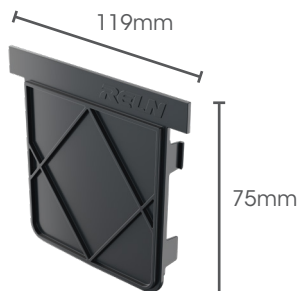
External: 1000 x 202 x 205mm

Internal: 1000 x 150 x 150mm

#### PRODUCT CODES

210010 - Complete with Class B Galvanised Grate

210012 - Complete with Class B Heelguard Galvanised Grate



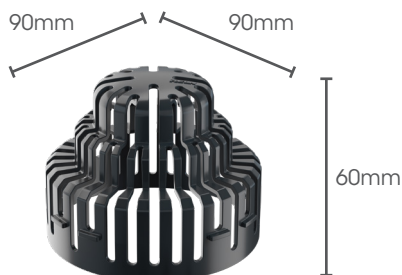
### RELN Storm Drain™ Pro End Cap

#### SIZE

119 x 75mm

#### PRODUCT CODE

210002 - Storm Drain™ Pro End Cap



### RELN Storm Drain™ Pro Leaf Guard

#### SIZE (L x W x D)

External: 90 x 90 x 60mm

#### PRODUCT CODE

00535 - Storm Drain™ Pro Atrium

CHANNEL GRATE ONLY OPTIONS



**Galvanised Class B Grate**

PRODUCT CODE  
210010

LOAD RATING  
Class B

APPLICATIONS  
Trafficable areas in domestic  
and light commercial applications



**Galvanised Heel Guard Class B Grate**

PRODUCT CODE  
210012

LOAD RATING  
Class B

APPLICATIONS  
Pedestrian areas in domestic  
and light commercial applications